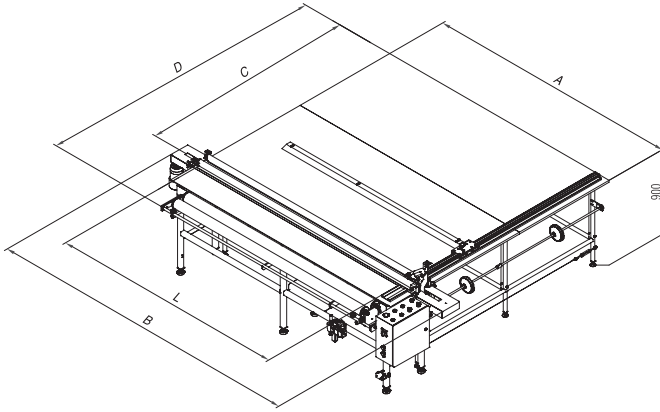
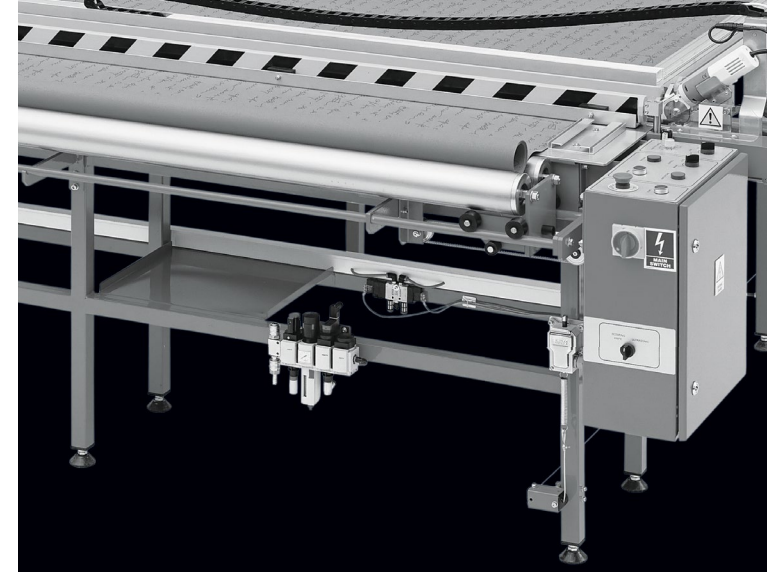
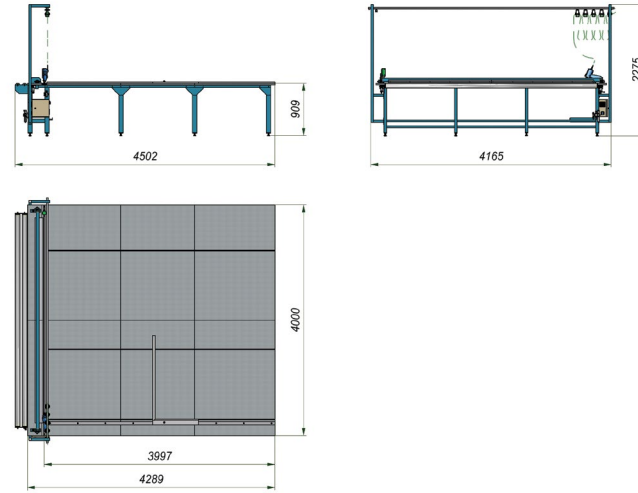


## Magnum SV-p1



## Magnum RBH-02/EP



Machine type	SV-P1
Max. fabric roll diameter	170 mm
Max. fabric roll weight	40 kg
Power supply	230 V / 50-60 Hz
Supplied air min. pressure	0,4 MPa
Air consumption	8 L / min.

Dimensions in mm				
Cut. length L	A	B	C	D
2600	3000	3650	3155	3715
3000	3400	4050	3155	3715
3500	3900	4450	4155	4715

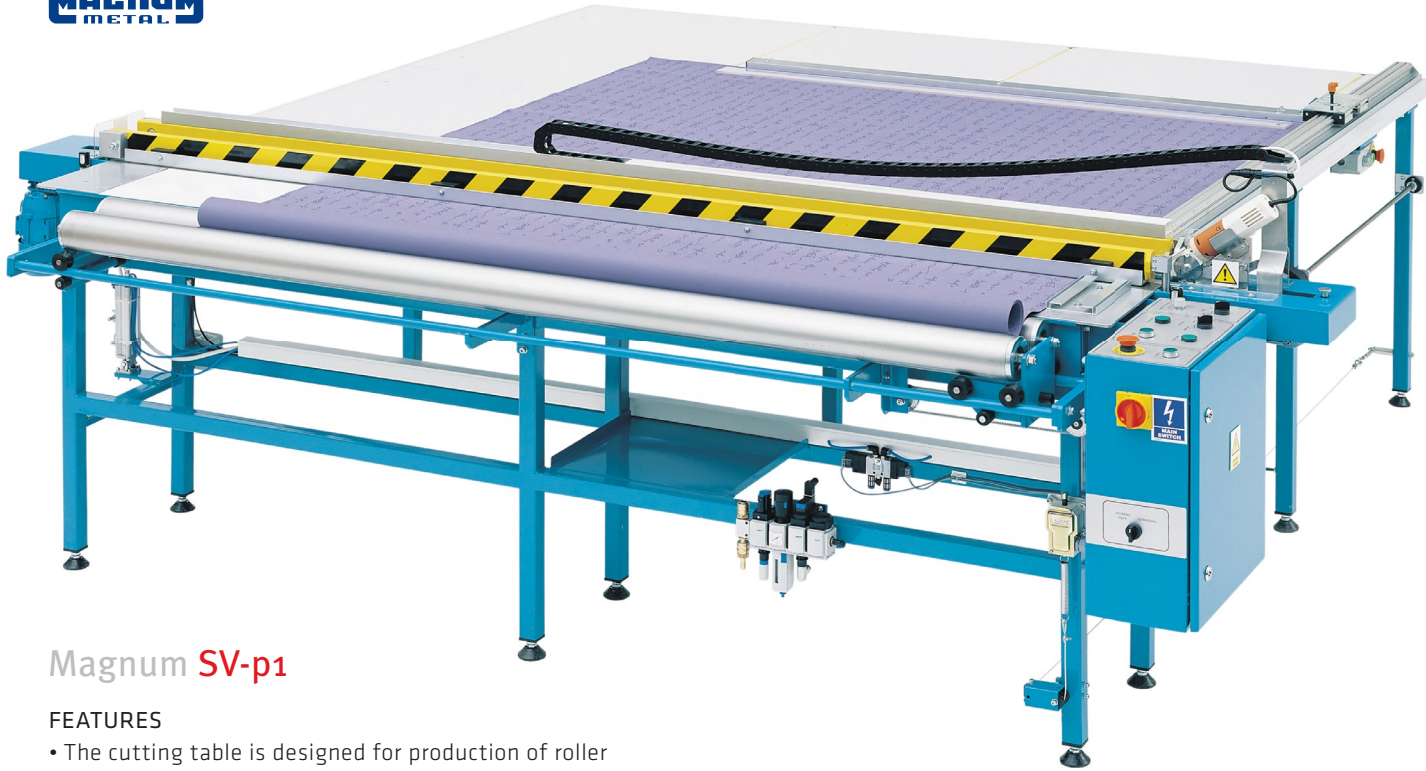
Cut. length	Net weight	Gross weight	Packing 1 wood case
2600	580 kg	810 kg	L=375 cm x W=110 cm x H=145 cm
3000	610 kg	885 kg	L=415 cm x W=110 cm x H=145 cm
3500	715 kg	1050 kg	L=465 cm x W=116 cm x H=145 cm

Magnum-Metal Ltd.  
 ul. Ceramiczna 2  
 98-220 Zduńska Wola  
 Poland  
 tel. +48 43 823 51 27  
 fax +48 43 823 23 16  
 e-mail: magnum@magnum-metal.pl  
<http://www.magnum-metal.pl/>



Magnum SV-p1  
 Magnum RBH-02/EP

I ❤️ the way it works...



machine in the picture may be fitted with additional equipment

## Magnum SV-p1

### FEATURES

- The cutting table is designed for production of roller blinds
- Back lighted area enables easy fabric defects detection
- The fabric is cut by electric rotating knife
- Steel line controls the pneumatic pressure
- Movable carriage to correct fabric alignment
- Pneumatic pressing of fabric
- Automatic knife feeding

### Additional equipment

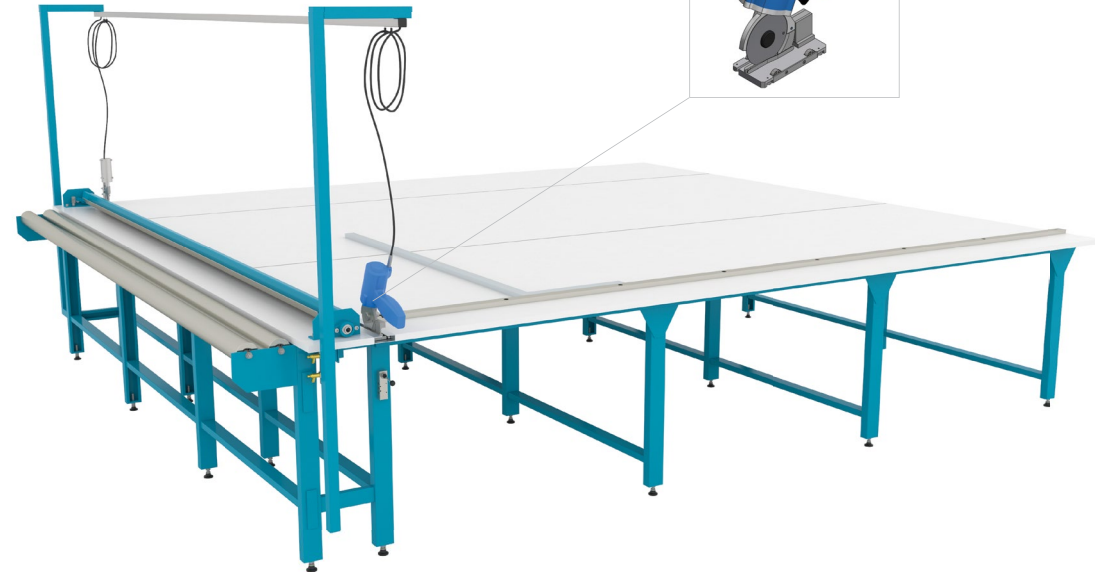
- Ultrasonic cutting device



## Magnum RBH-02/EP

### FEATURES

- Very stable framework with double - sided table tops provides proper geometry and stability
- Pneumatic fabric clamp system
- Top class rotating cutter Suprena
- Ultrasonic cutting device as an option (may be installed later)



SUPRENA